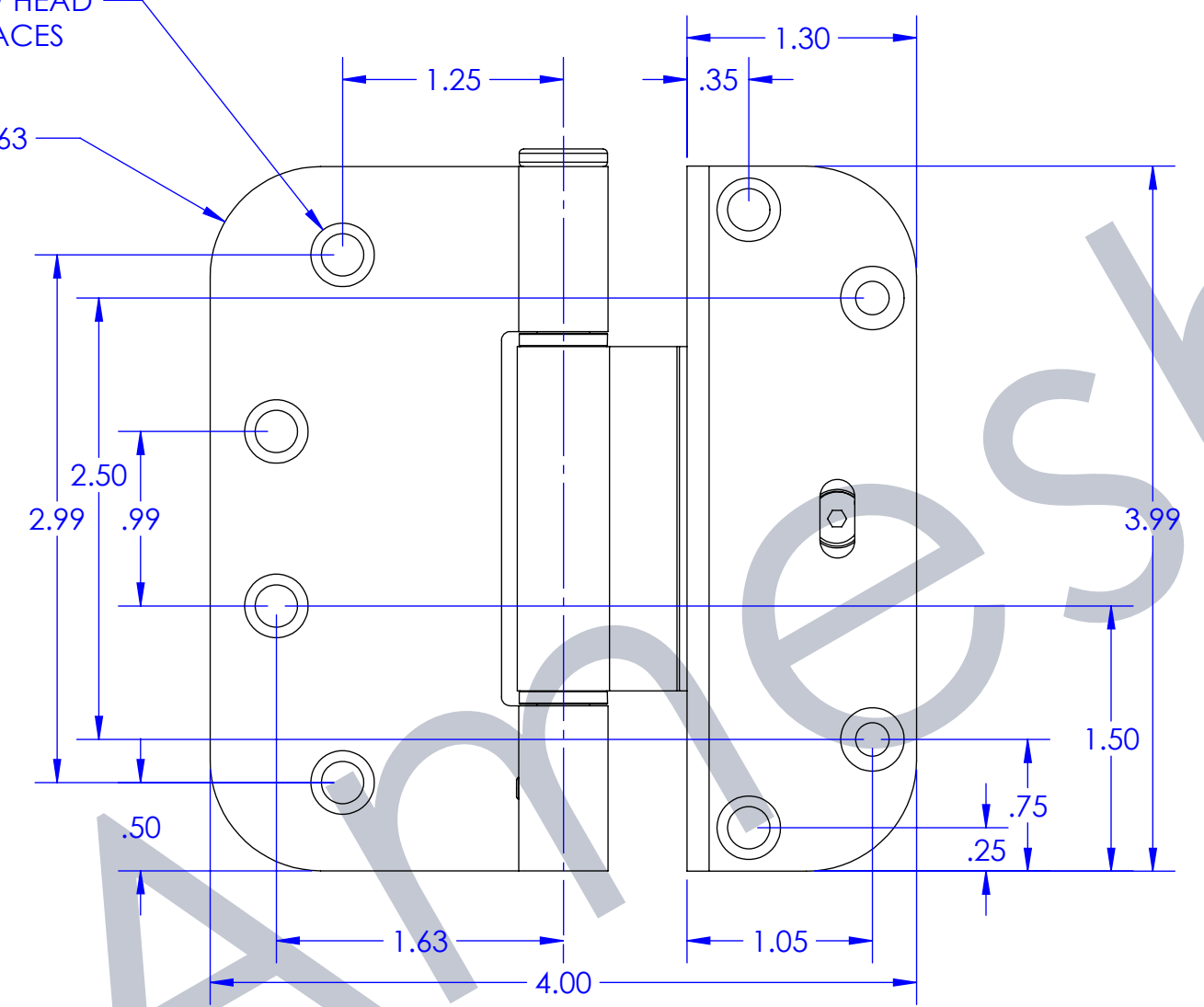


CSK FOR #9  
SCREW HEAD  
8 PLACES

R.63



CUSTOMER PAGE

<p><b>Amesbury Truth</b> Engineered Solutions. Trusted Results.</p> <p><small>THE INFORMATION CONTAINED IN THIS DRAWING IS CONFIDENTIAL AND PROPRIETARY. THIS DRAWING IS NOT TO BE COPIED OR REPRODUCED IN WHOLE OR IN PART WITHOUT EXPRESS WRITTEN PERMISSION.</small></p>	<p>INTERPRET PER: ASME Y14.5M-2009</p> <p>UNITS: INCH</p>	<p>DRAWING TITLE: V400 HORIZONTAL HINGE</p>
	<p>THIRD ANGLE PROJECTION</p>	<p>SCALE: 1:1</p> <p>DRAWING #: V-11515-2</p>